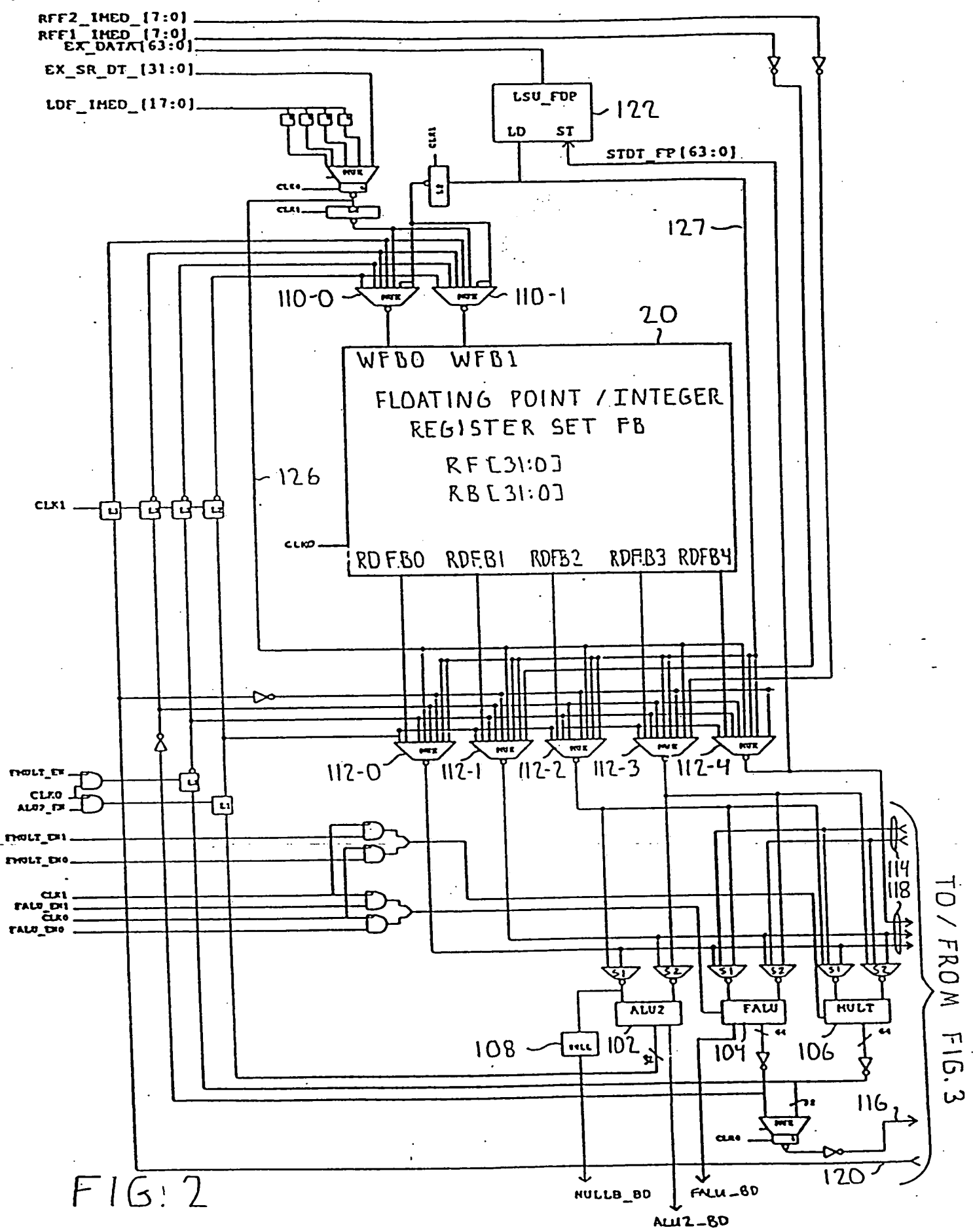


Fig. 1 ¹⁰ Instruction Execution Unit (IEU)



Control Bit (PSR[7])

CLKC

TO / FROM FIG. 2

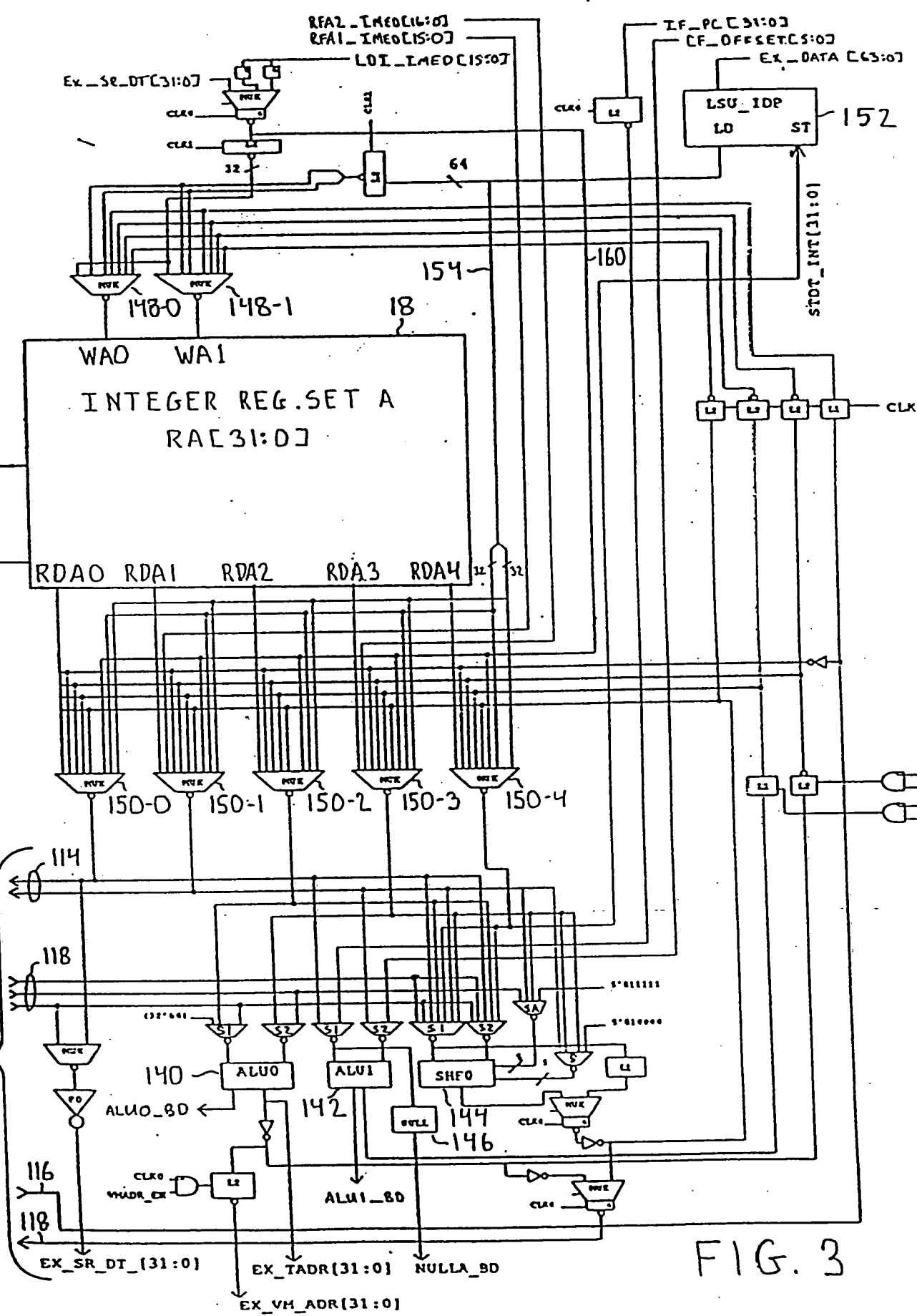


FIG. 3

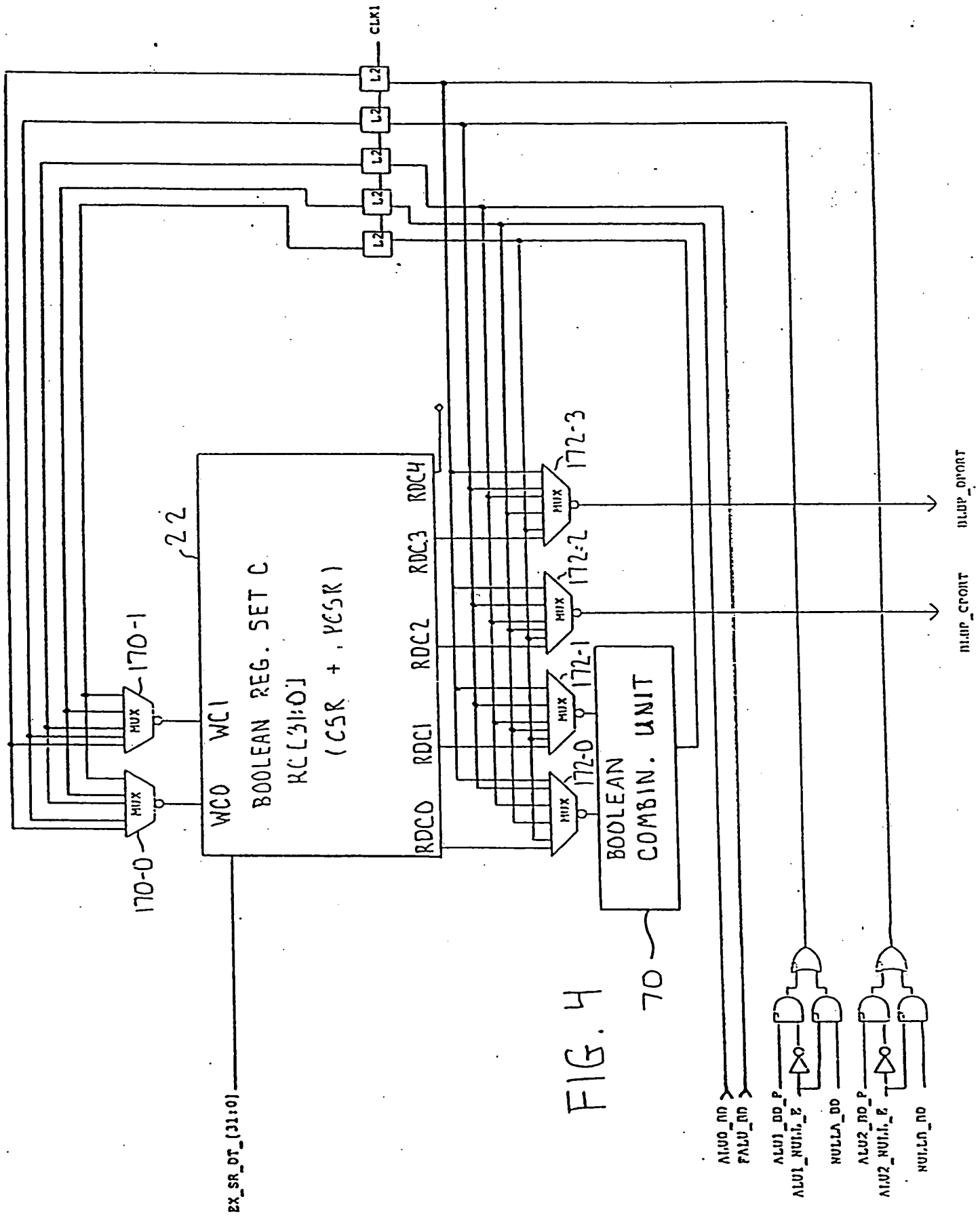


FIG. 4

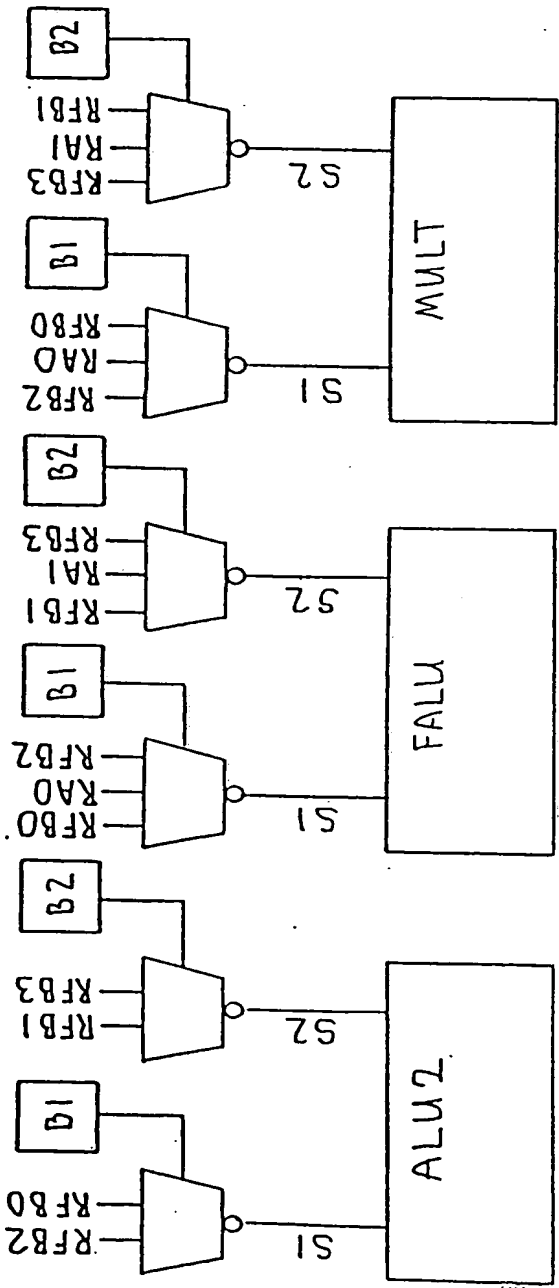


FIG. 5

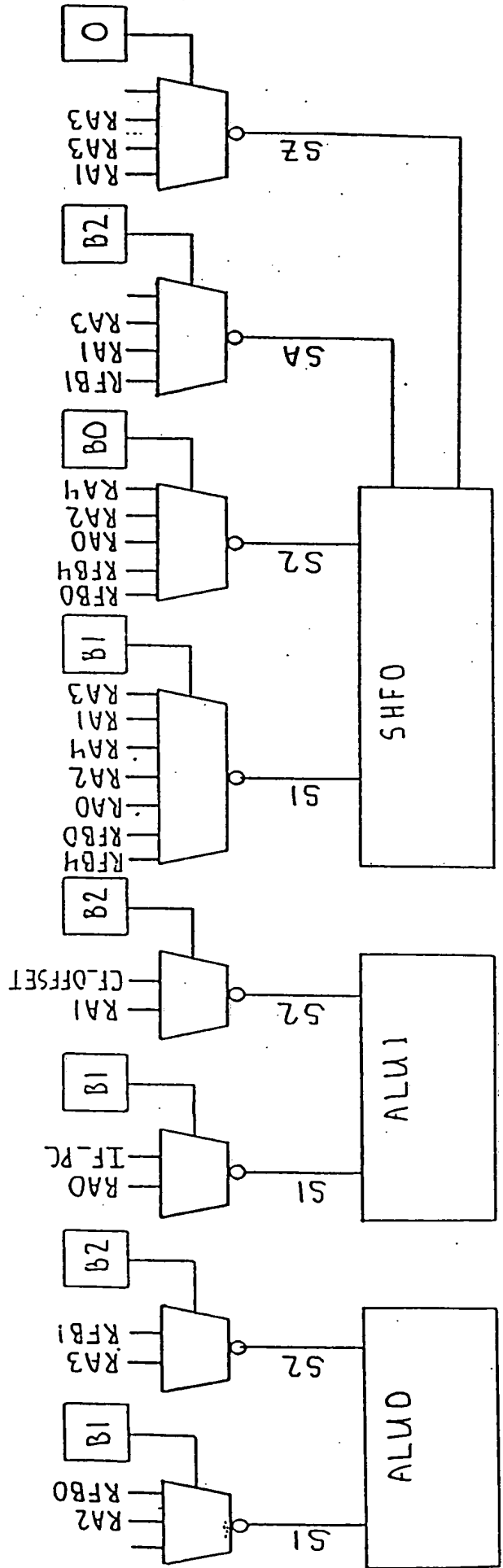
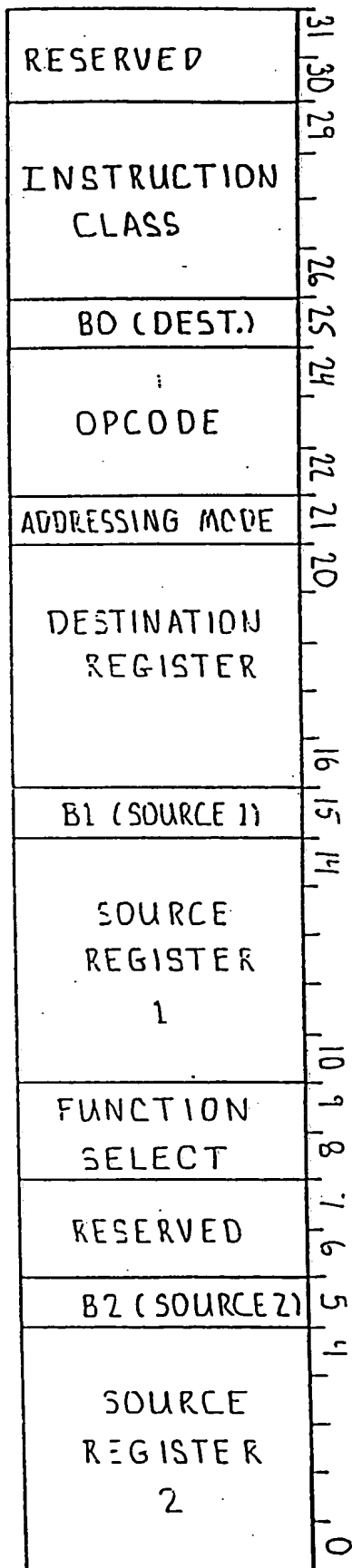
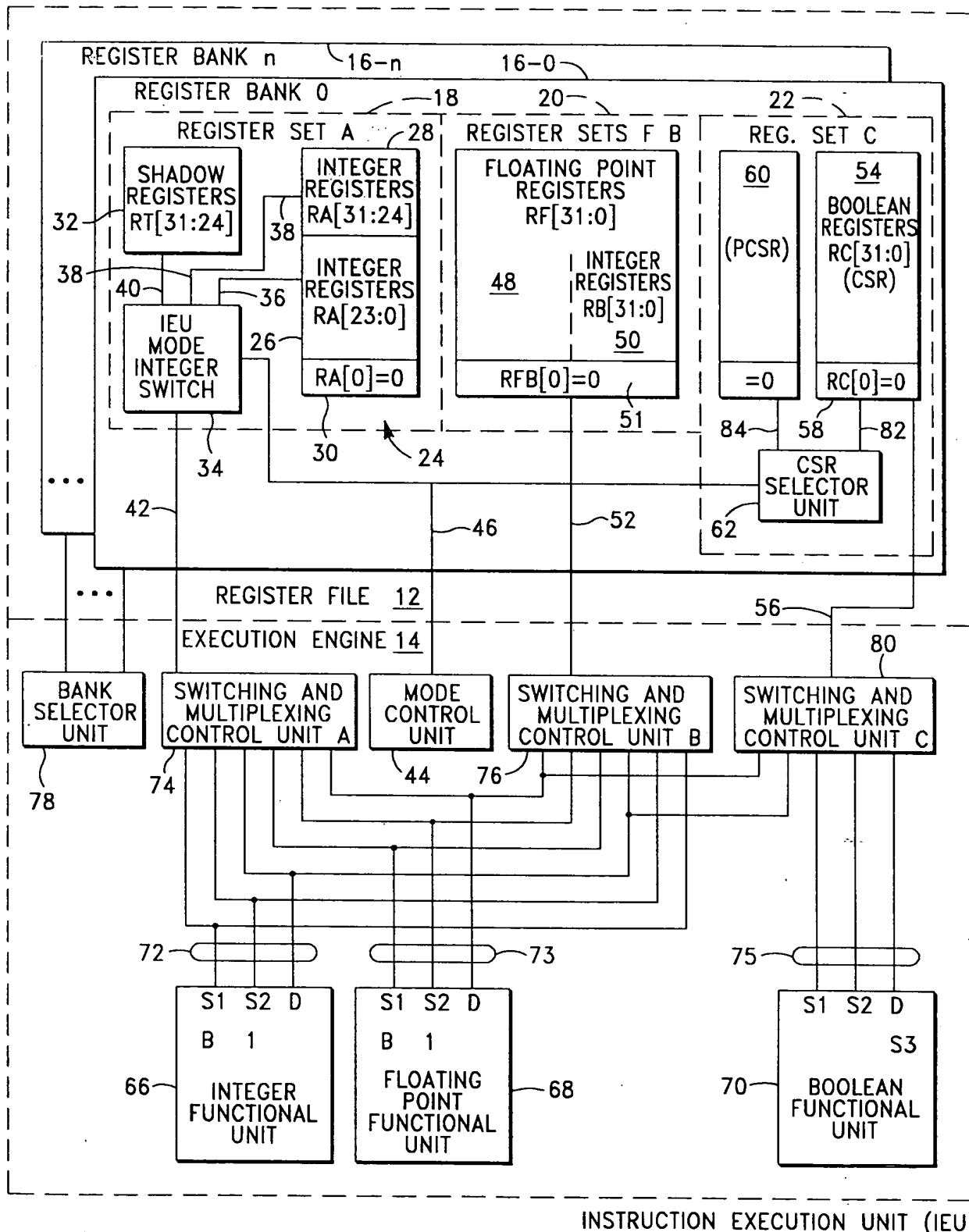


FIG. 6

FIG. 7

INSTRUCTION I []





BOFF-BOFF-BOFF

FIG.-1

9

86077" 80488760

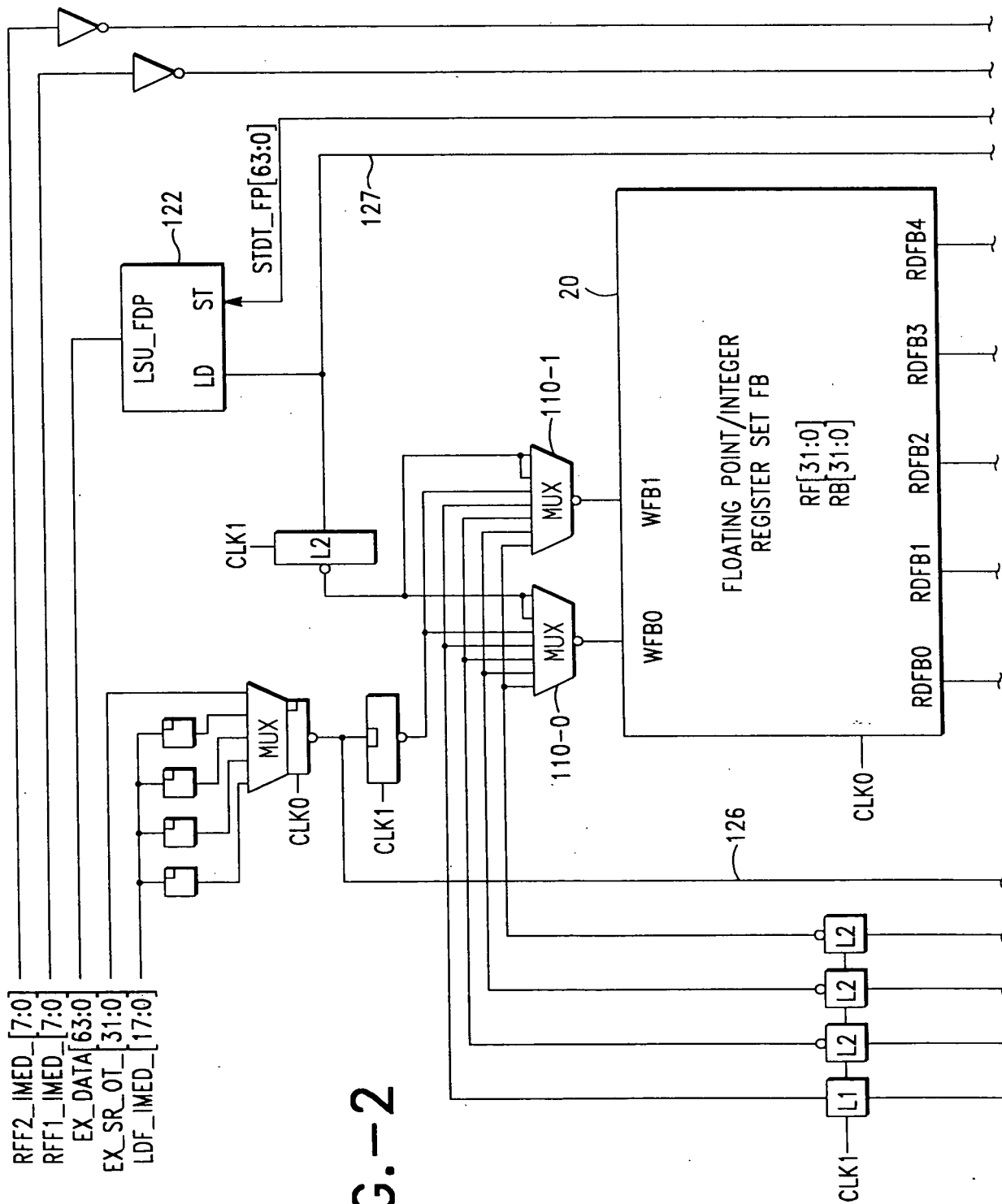


FIG.-2

TO/
FROM
FIG.-3

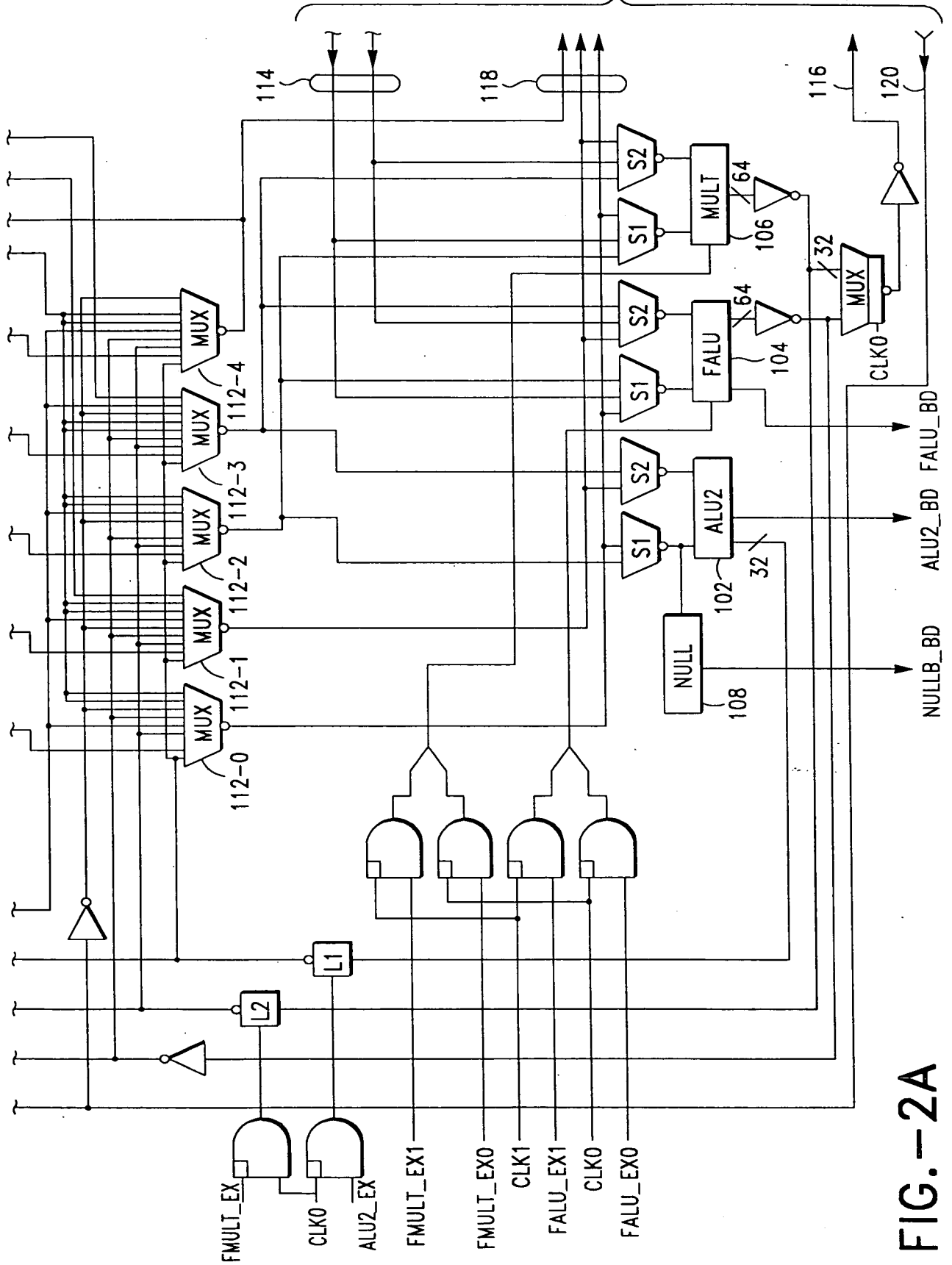


FIG.-2A

SECRET

SUBJECT "BUZZBEE"

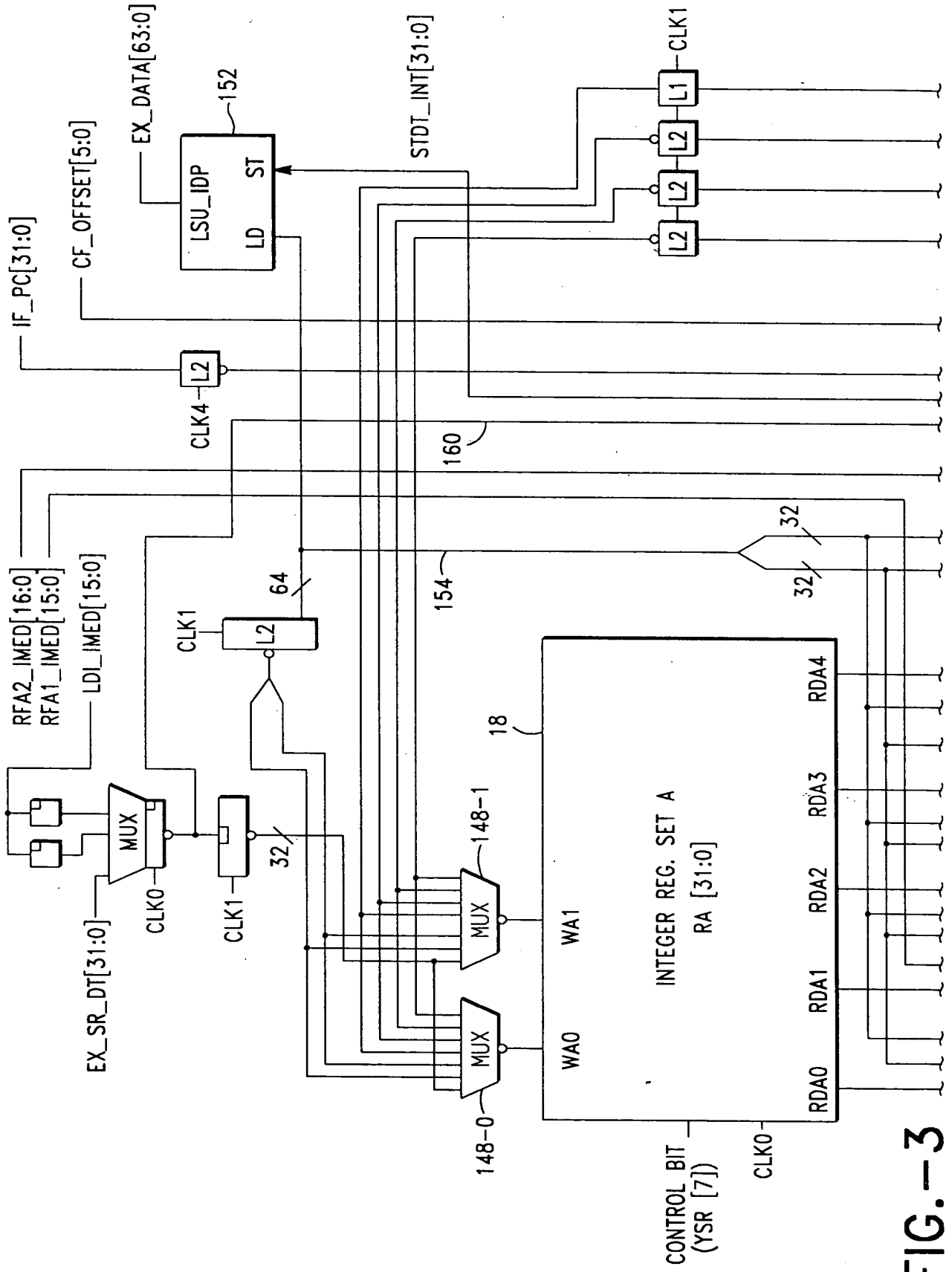


FIG.-3

SHEET "B02B3T50"

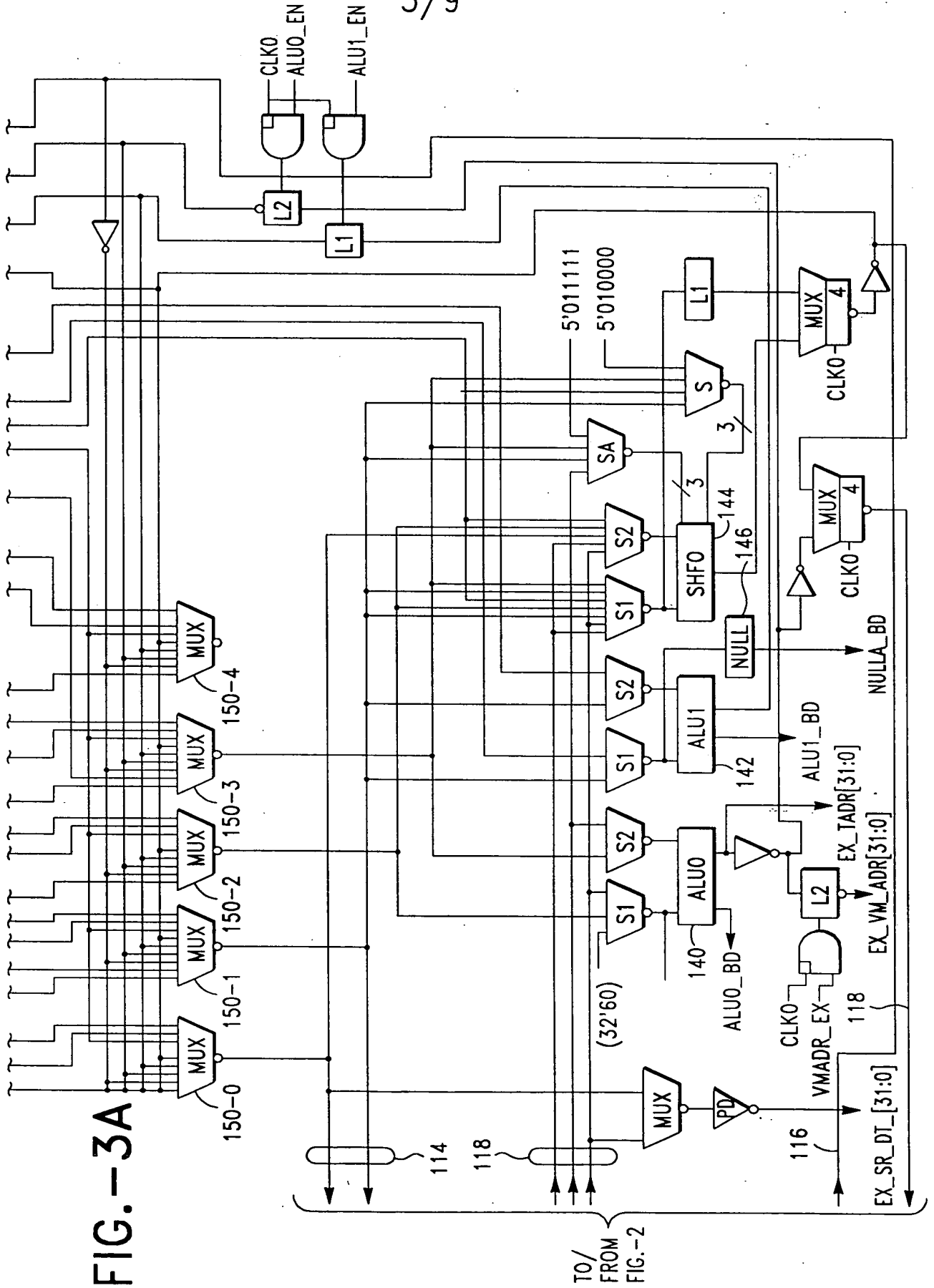


FIG.-3A

TO/
FROM
FIG.-2

BOEYER "BOZEBT50"

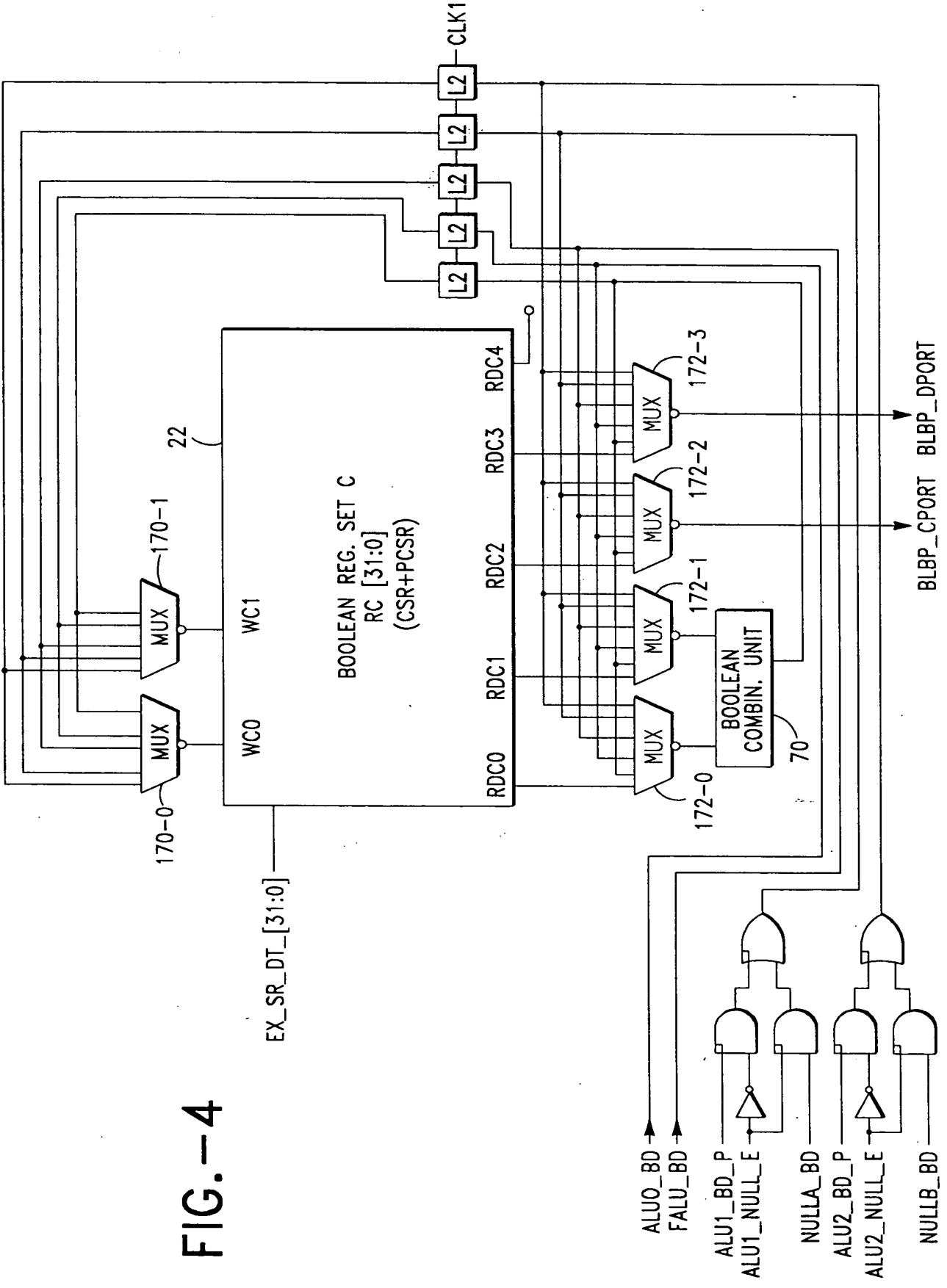


FIG.--4

APPROVED	O.G. FIG	
BY	CLASS	SUBCLASS
DRAFTSMAN		

SP018

7/9

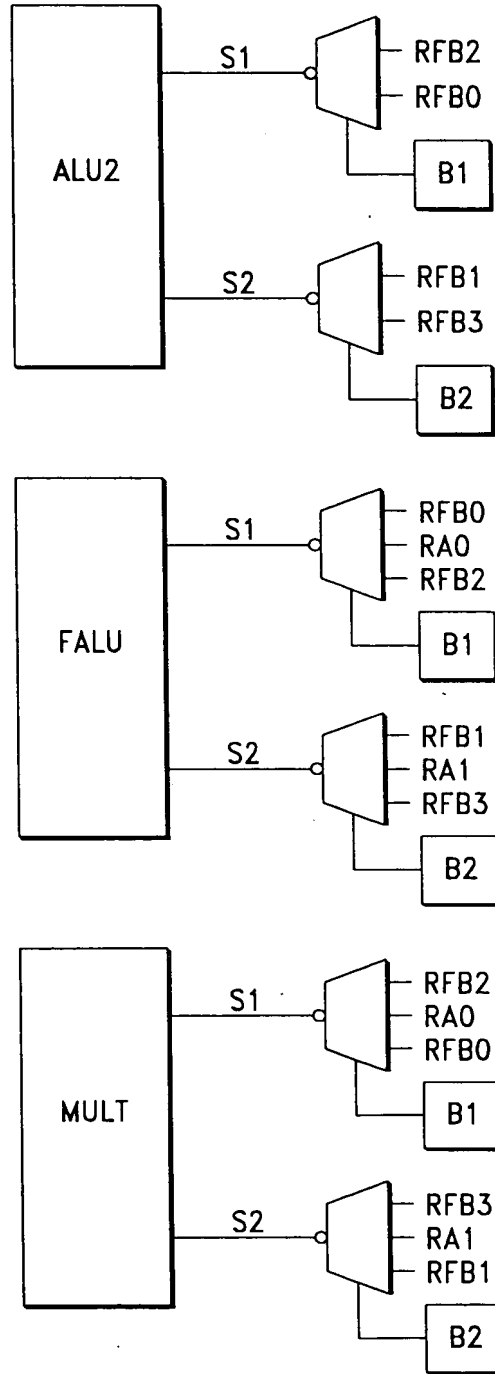


FIG.-5

SECRET 80483T60

DRAFT "SUBSTITUTED"

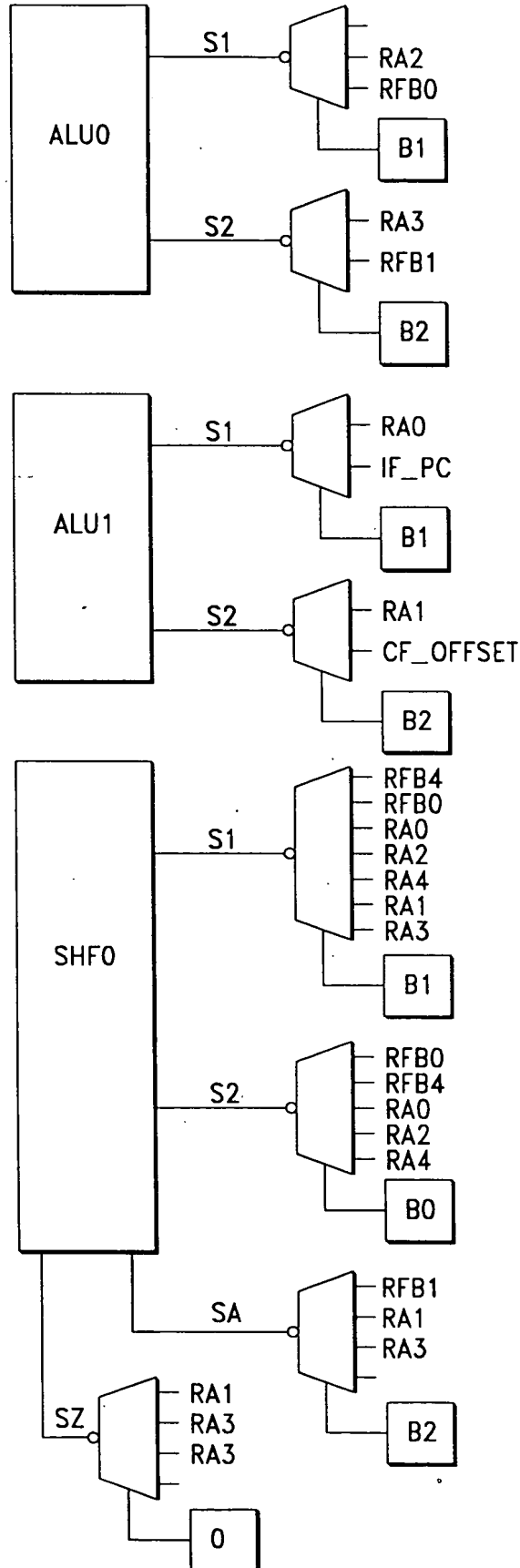


FIG.-6

APPROVED	O.G. FIG	
BY	CLASS	SUBCLASS
DRAFTSMAN		

SP018

9/9

091220200
BOFF-BOZBT60

INSTRUCTION I []

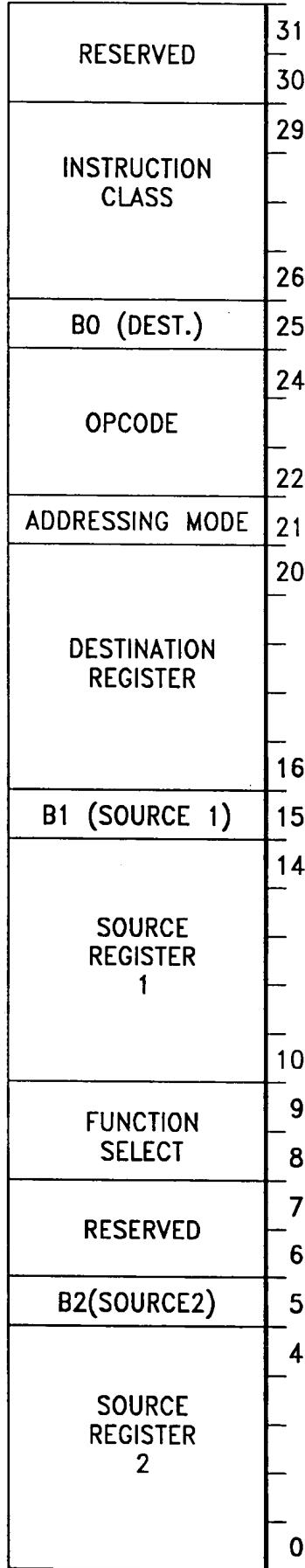


FIG.-7